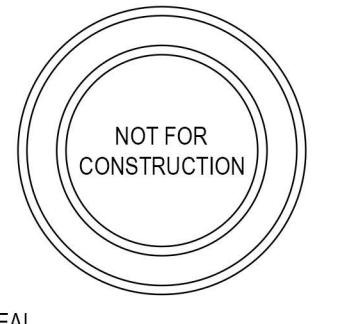
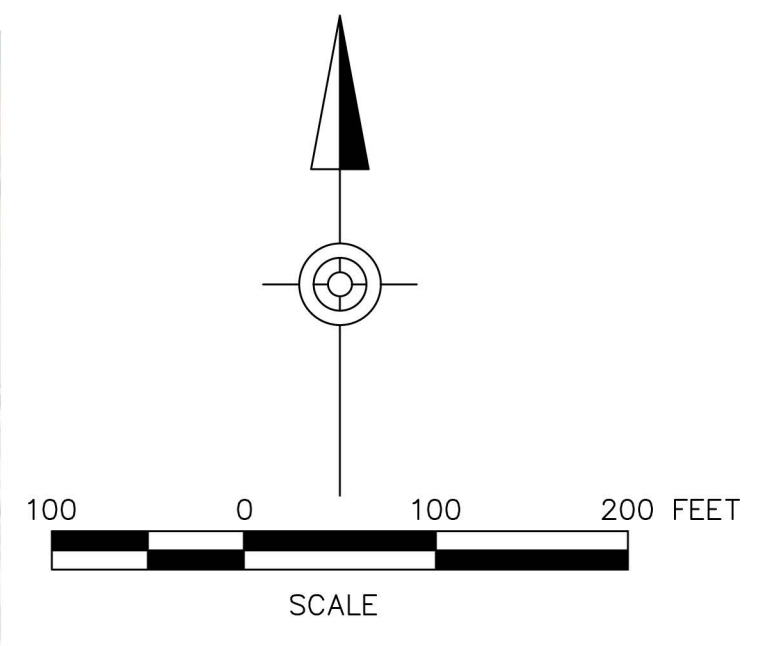


G  
F  
E  
D  
C  
B  
A

1 2 3 4 5 6 7 8 9 10



MARK	DATE	COMMENTS
1	11.04.2024	SUBMISSION TO THE VILLAGE OF WATKINS GLEN

SEAL

**WATERSIDE ON SENECA**  
157 LEMBECK LANE  
WATKINS GLEN, NY 14891  
**PRELIMINARY SITE PLAN**

Date: 11.04.2024  
Project No.: 13649-001  
Sheet No.:

**C200**

NOT FOR CONSTRUCTION